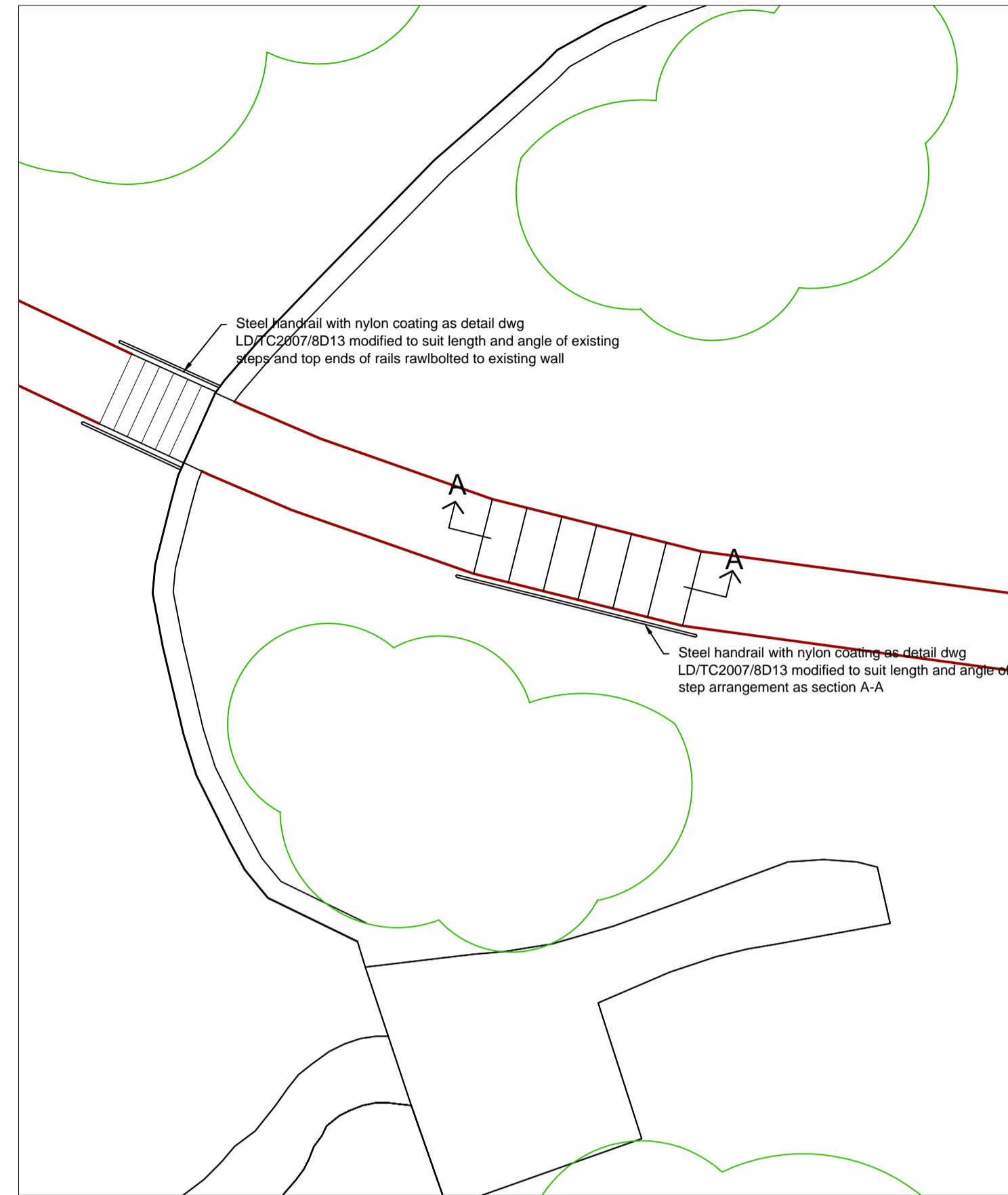
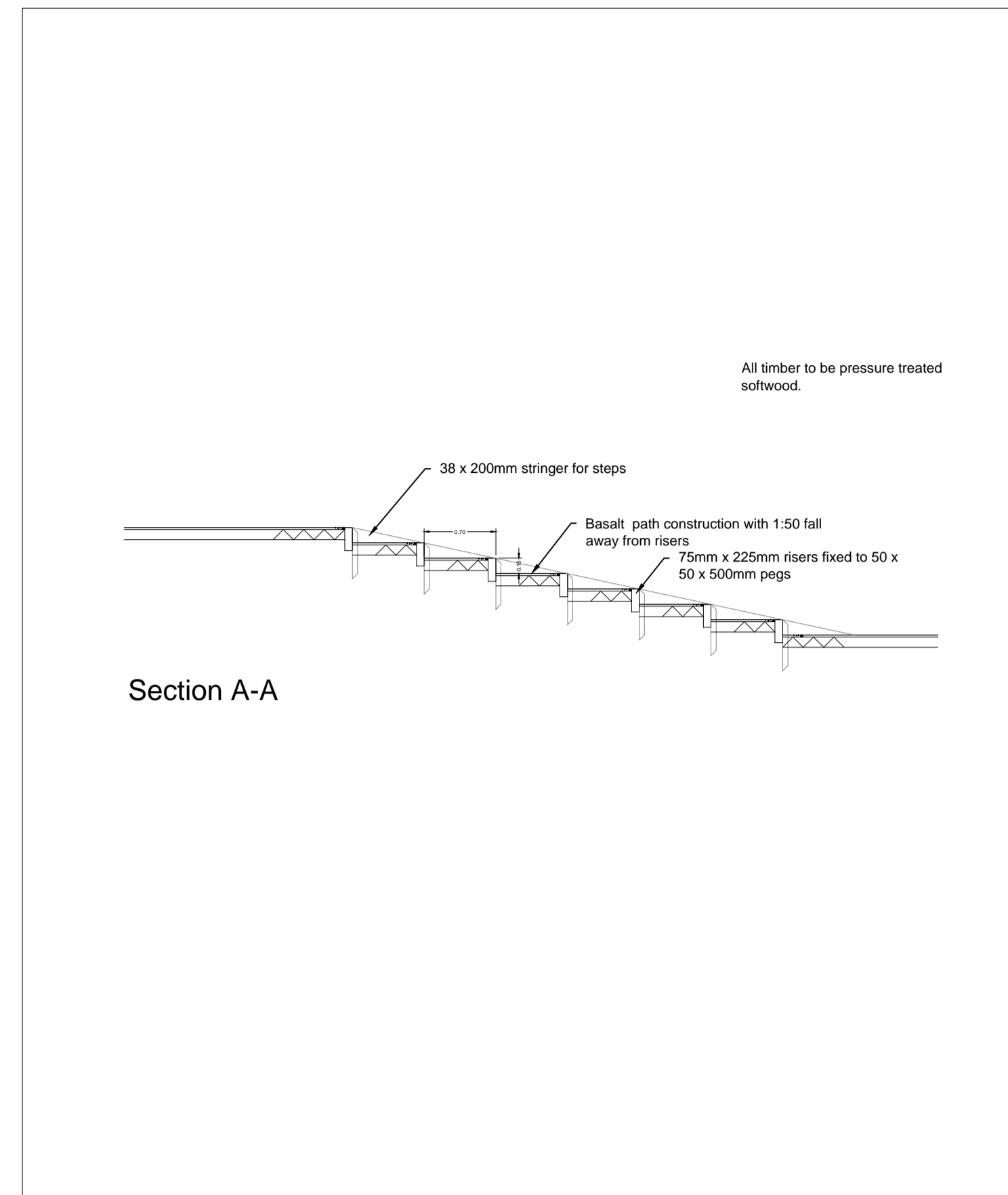




Detail plan A: Tipton Road entrance  
Anti motor cycle chicane barrier  
1:50 @A1



Detail plan B: Steps area plan  
1:100 @A1

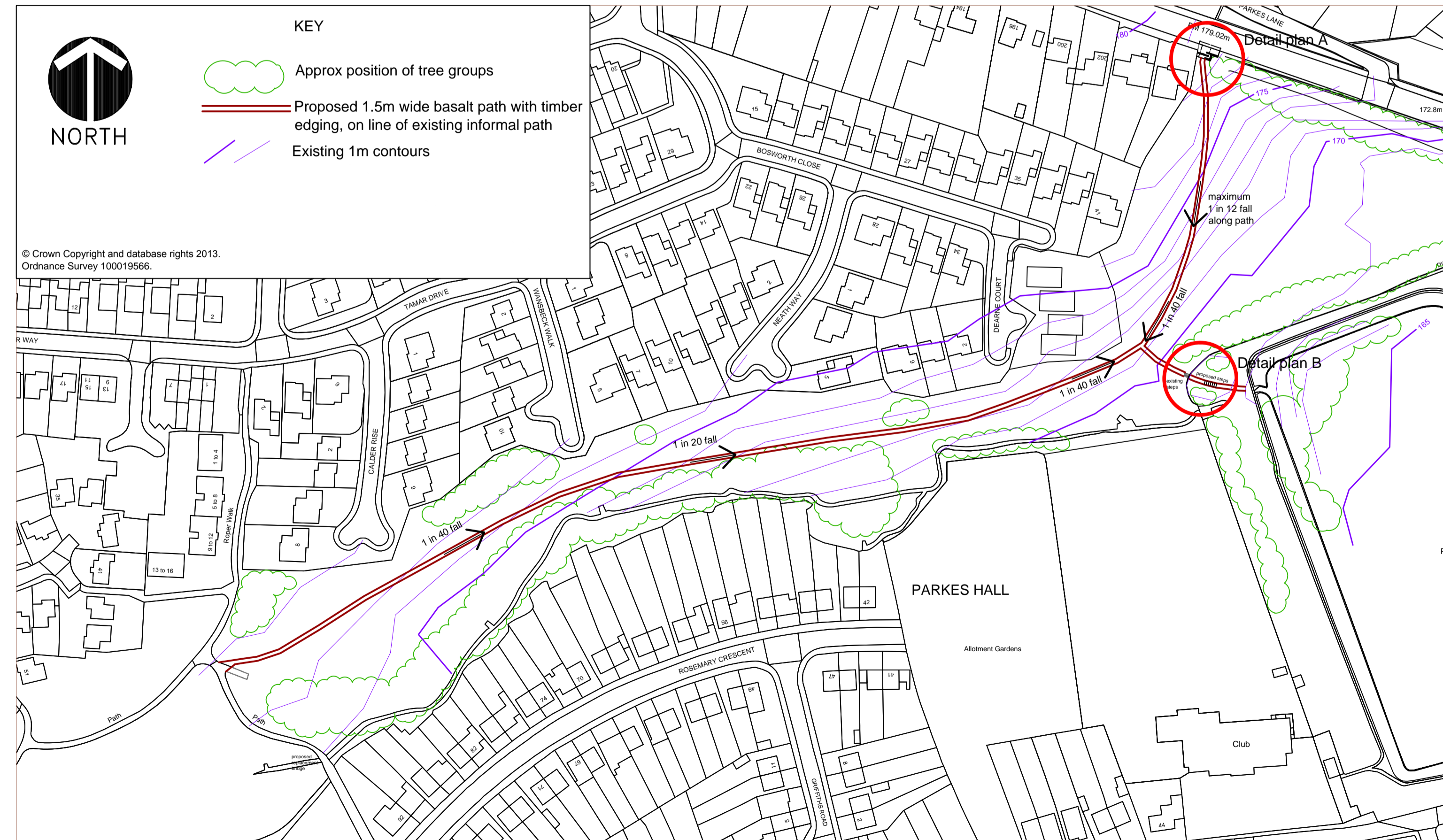


Steps Section A-A  
1:50 @A1

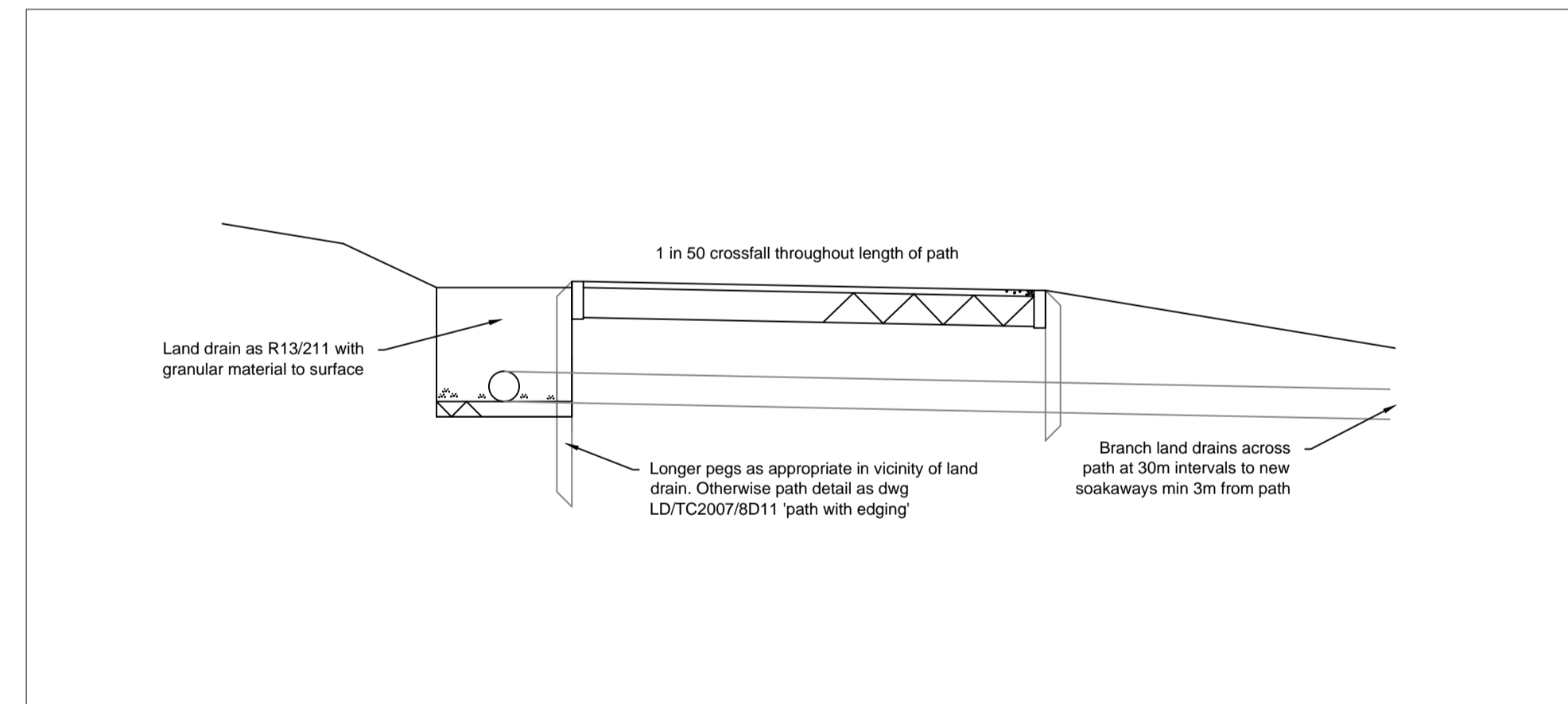


NORTH

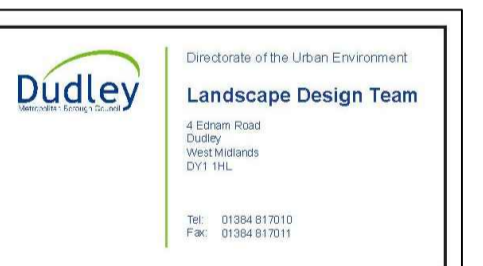
© Crown Copyright and database rights 2013.  
Ordnance Survey 100019566.



General plan  
1:1250 @A1



Typical section through path  
1:20 @A1



Job: Swanbrook Valley Path off Tipton Rd

Drawing: Details

Job No: LD/M352

Drawing No: LD/M352-03

Scale: various as indicated

Date: Jan.2014

Drawn: RL

Checked: DH